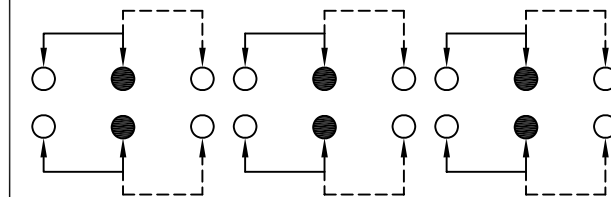
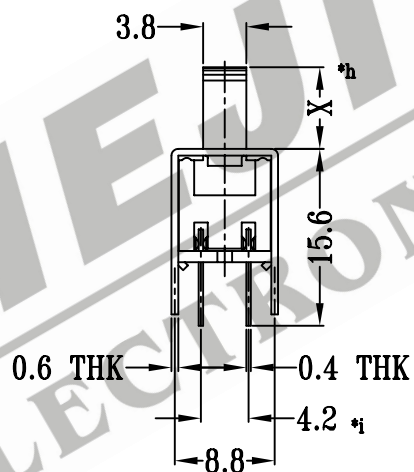
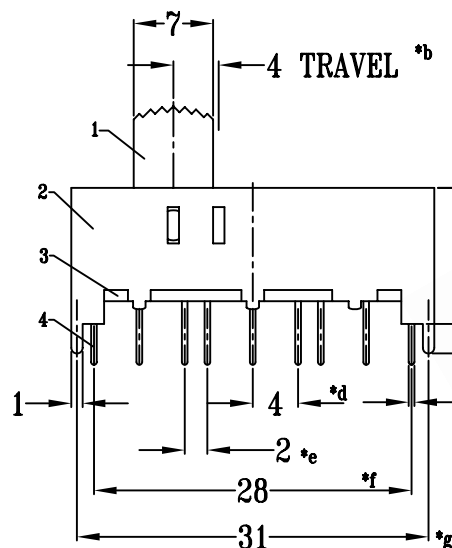
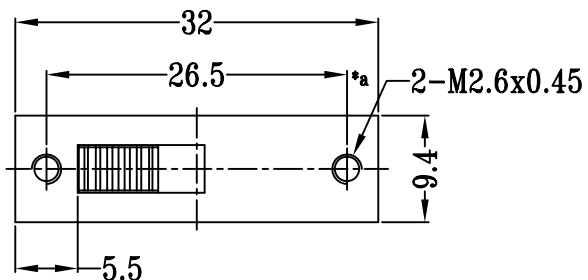
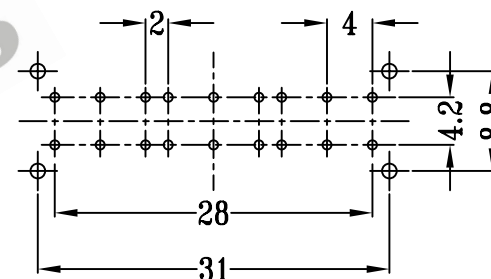


CAD FILE:



SCHEMATIC (NON-SHORTING)



P.C.B LAYOUT

注:带"*"表示关键尺寸(9个)

NO.	PART NAME	MATERIAL	Q'TY	FINISHING	TOLERANCE UNLESS SPECIFIED	SHENZHEN XIEJIA ELECTRONICS CO.,LTD.								
8						ISSUE		DATE		DESCRIPTIONS		APPD.		
7	STEEL BALL	STEEL	1	NATURAL	WITHIN : 1.5±0.1mm	TITLE : VERTICAL SLIDE SWITCH					UNIT : MM		DRWG NO.: XJ-DR-SS62H11-00	
6	SPRING	STEEL WIRE	1	TEMPER	OVER : 1.5±0.2mm						SCALE: 3 : 2		DWN.	ZHOUYU
5	CONTACT CLIP	PBS STRIP	6	Ag PLATED	MODEL: SS-62H11					CHK'D	FANGYING	2005-9-14		
4	TERMINAL	BRASS STRIP	18	Ag PLATED OVER Ni PLATED						ALL MATERIALS MUST BE COMPLIANT TO ROHS				
3	BASE	PHENOLIC RESIN	1	NATURAL										
2	FRAME	STEEL STRIP	1	Ni PLATED										
1	KNOB	POM	1	BLACK										